

Thank you for purchasing our equipment. Please read this manual carefully and heed the safety warnings and instructions before installing, using or repairing the equipment. This will ensure not only the protection of persons, but also the long life of the equipment. USB-C charging cable included. The device can be placed on a table stand, clip or wall bracket (all included). The device can be carried and powered by the built-in battery or used plugged in using the USB cable.

TECHNICAL PARAMETERS

Power input	4W
Luminous flux	max. 280lm
Chromaticity	3000K, 4000K, 6500K
Batteries	Li-Ion 18650, 3.7V 2000mAh
Battery endurance	approx. 3,5h at 100% power
Battery power supply time	about 3 hours
Power supply	DC 5V; 1A (cable included, adapter not included)
Max. dimension	approx. 320 x 120 x 140mm

CONTROL

Fully charge the device before use.

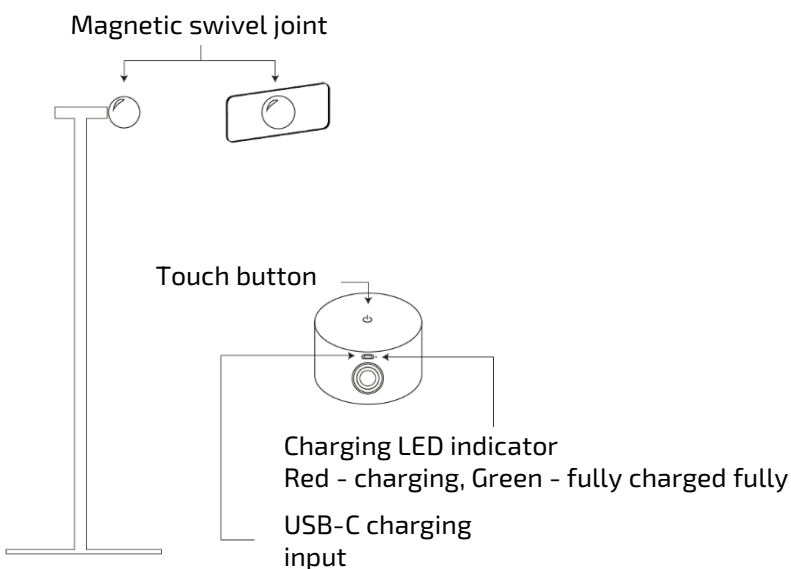
To switch On, press the touch button on the lamp head.

- Short press: On/Off, change chromaticity.
- Long press: Adjust the intensity of the light.

WARNING

- Before use, check that the power cord is not damaged. If damaged, replace it with a cable of the same type.
- The device contains lithium-ion batteries, so avoid contact with fire, water and strong vibrations. Avoid contact with hot surfaces and avoid prolonged exposure to sunlight.
- Leave the power cord disconnected when not in use.
- Do not use the device if any of its parts are damaged!
- Do not repair the equipment. Repairs must only be carried out by the manufacturer's service centre.
- When lighting and charging at the same time, the battery heats up and reduces its lifetime. For maximum battery life, charge the light first and then use.

DESCRIPTION OF EQUIPMENT



INSTALLATION

On the table

- Assemble the base and rod with the supplied screw and tighten with a screwdriver. Place the luminaire body on the rod using the magnet and orient it as required.

On the wall - by gluing (A)

1. Clean the surface you are going to glue on.
2. Remove the cover on one side of the double-sided tape and stick it to the surface.
3. Hold the tape in place for at least one minute and then allow to dry for at least 24 hours.
4. After 24 hours, peel off the front side of the double-sided tape cover.
5. Glue the luminaire bracket and put the luminaire head on it.

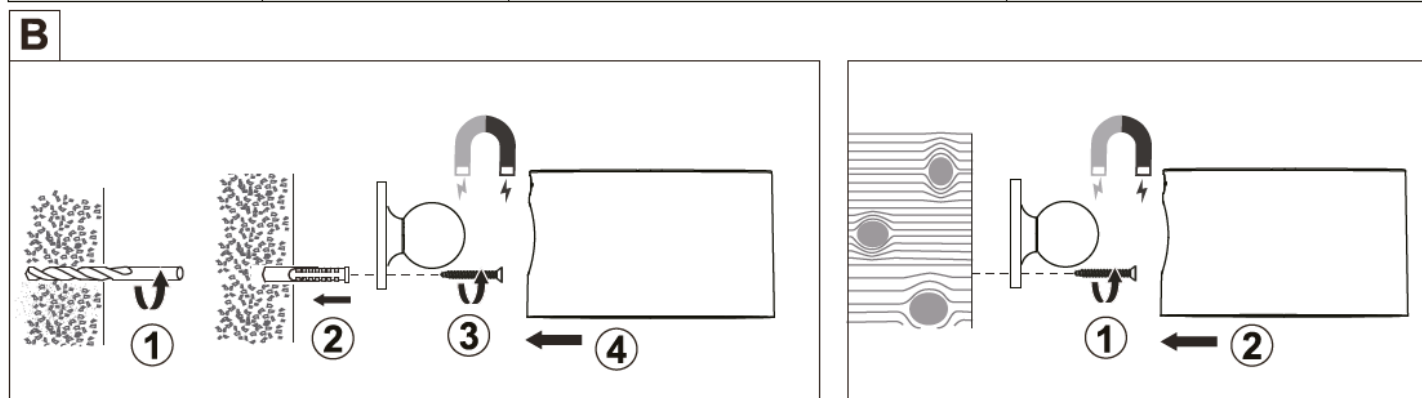
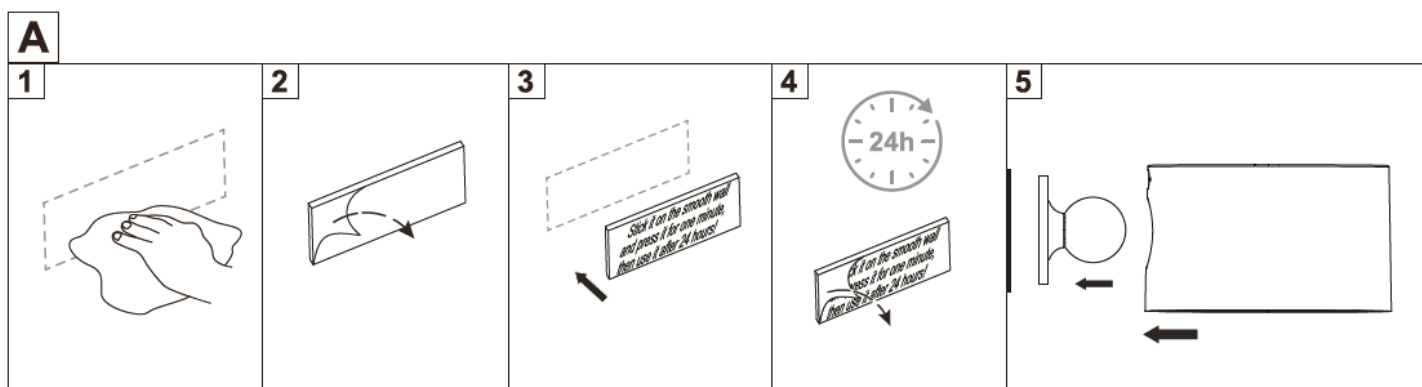
On the wall - by drilling (B)

Into the wall:

1. Drill holes at the selected location
2. Insert dowels into the drilled holes
3. Screw on the luminaire holder
4. Fit the magnetic head of the luminaire

Into the wood:

1. Screw on the luminaire holder
2. Fit the luminaire head



The product has been issued with a CE declaration of conformity in accordance with the applicable regulations.

On request from the manufacturer: info@solight.cz, or downloadable from www.solight.cz.



SOLIGHT

Solight Holding, s.r.o., Na Brně 1972, Hradec Králové 500 06, Czech Republic.